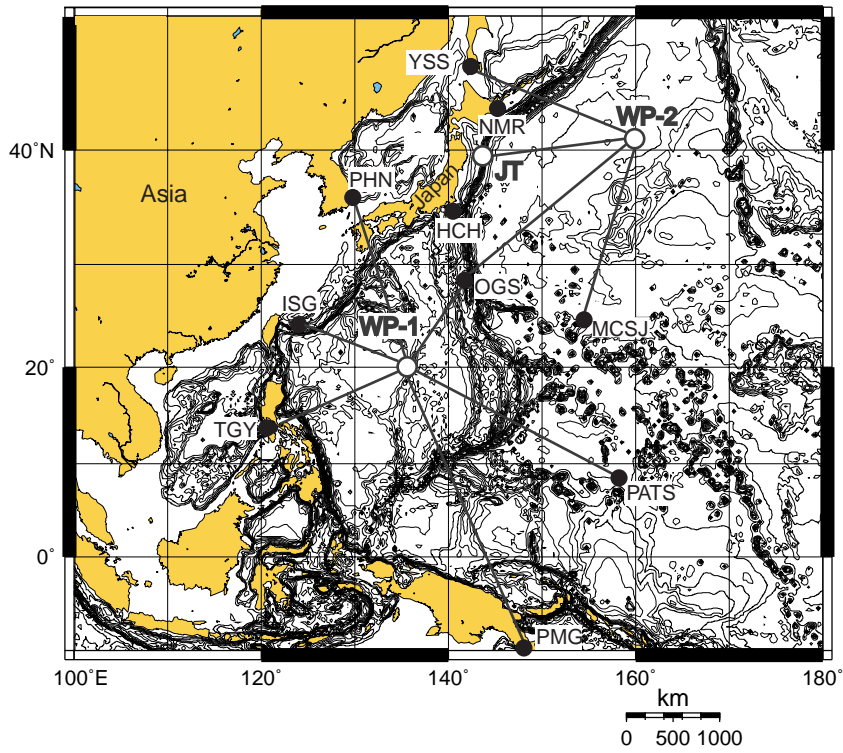


A



B

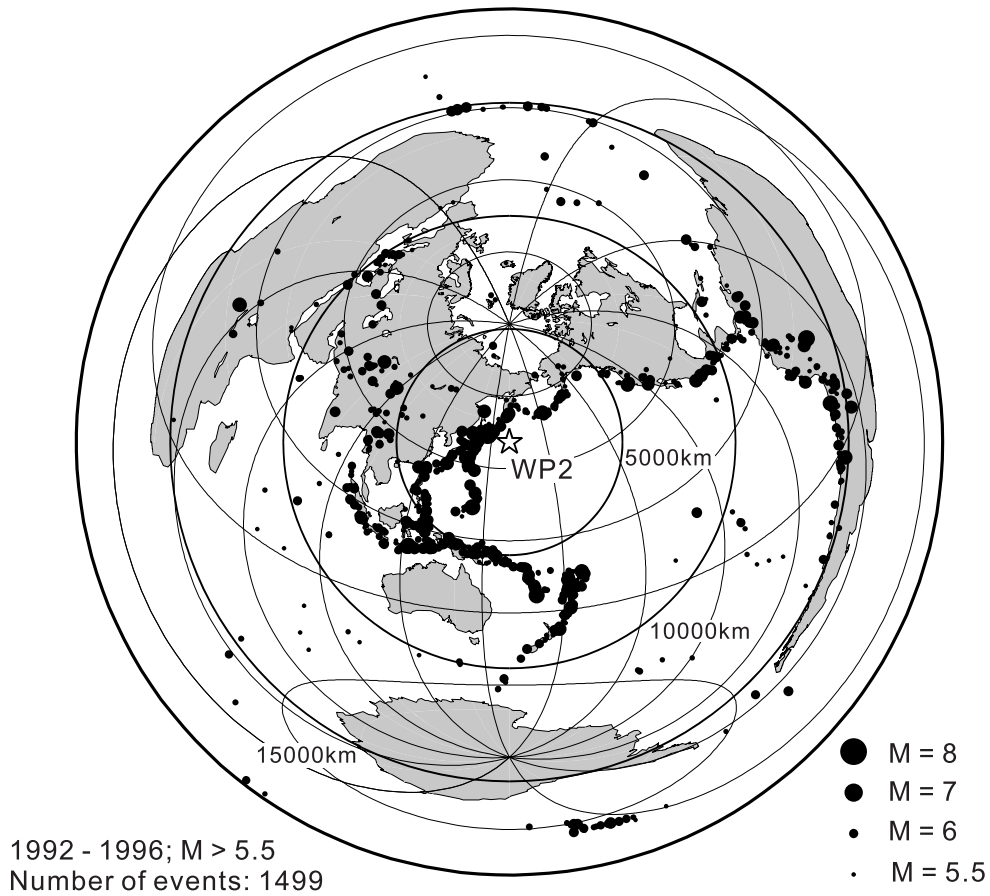


Figure 1

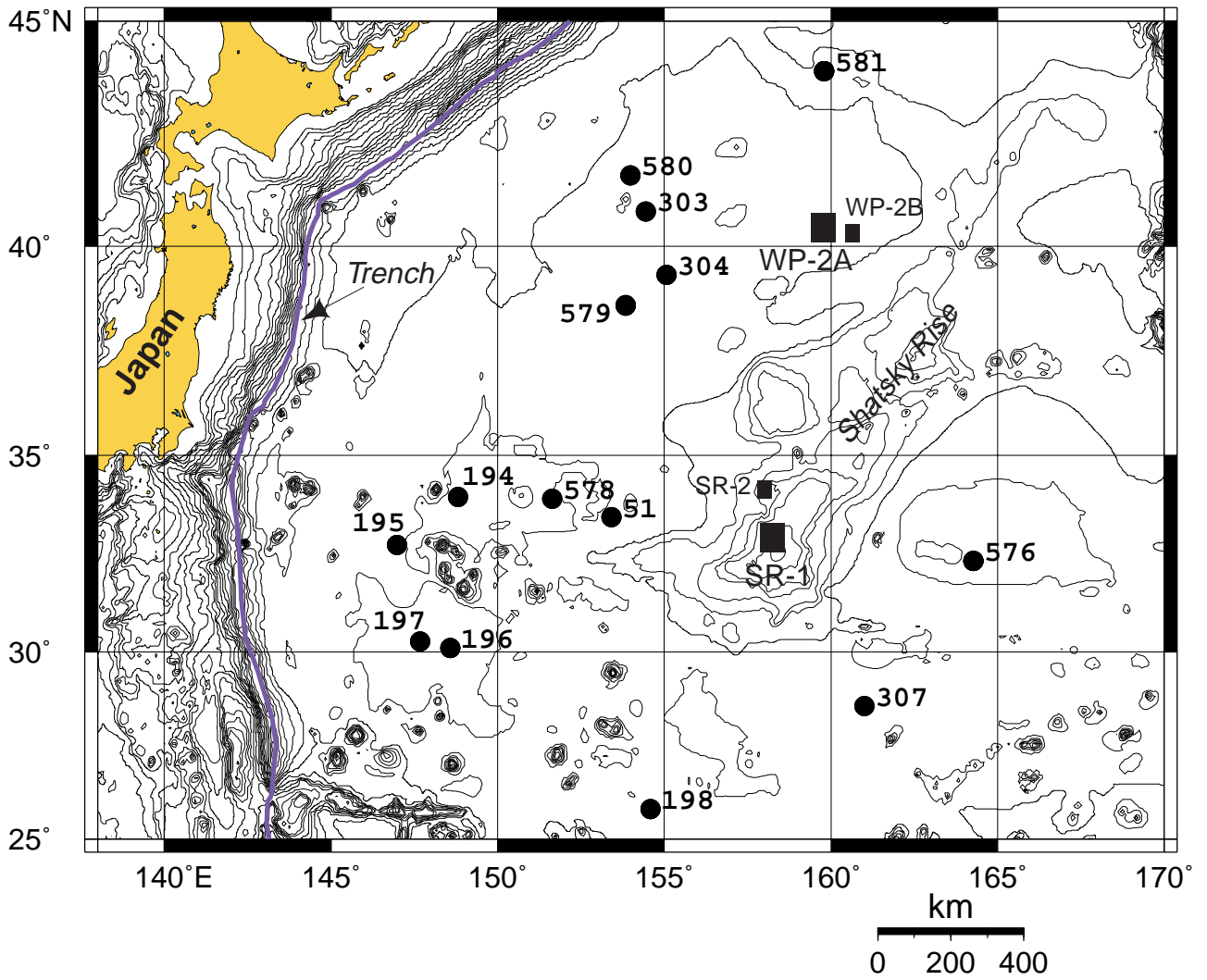


Figure 2



**Figure 3**

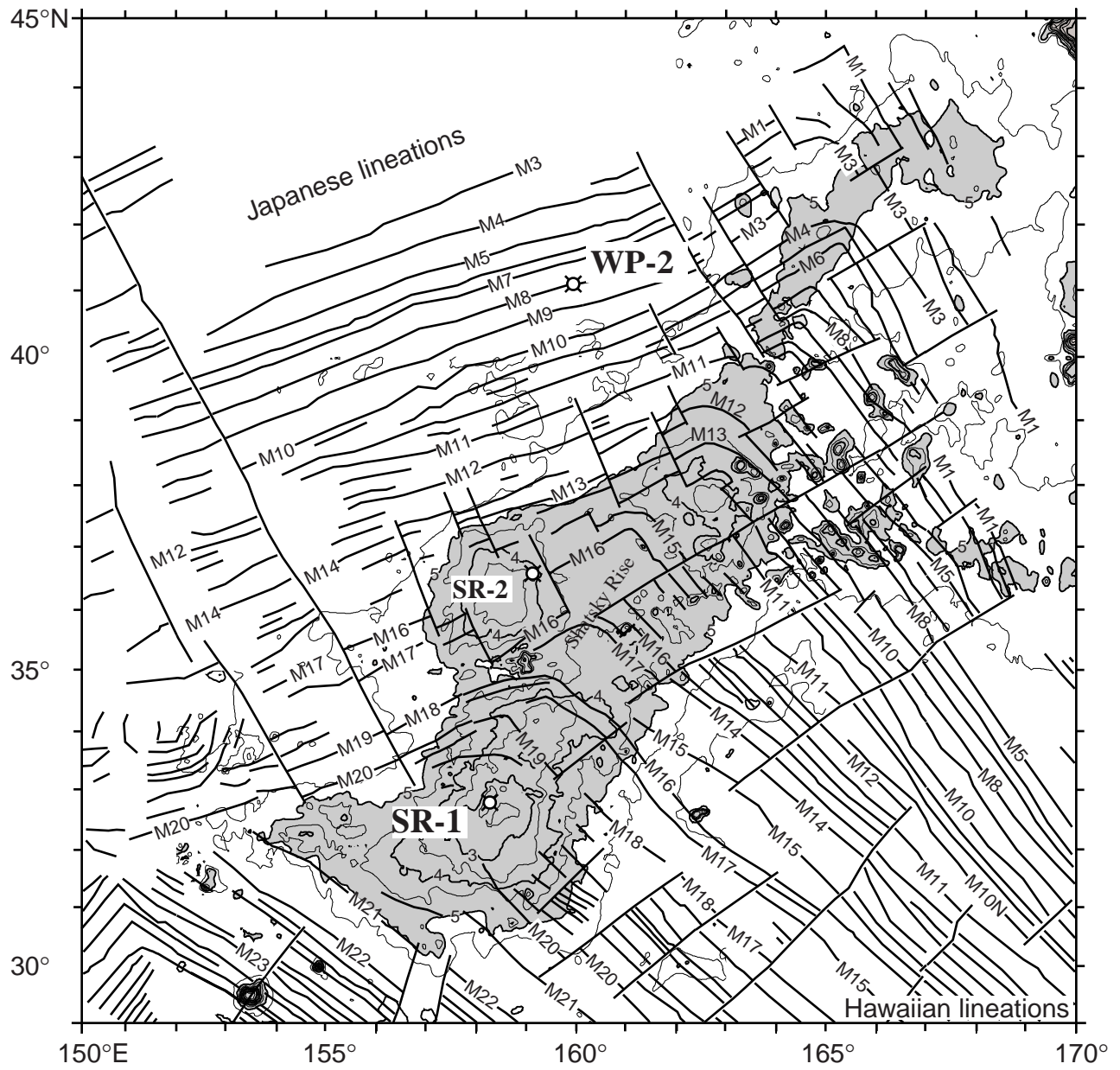
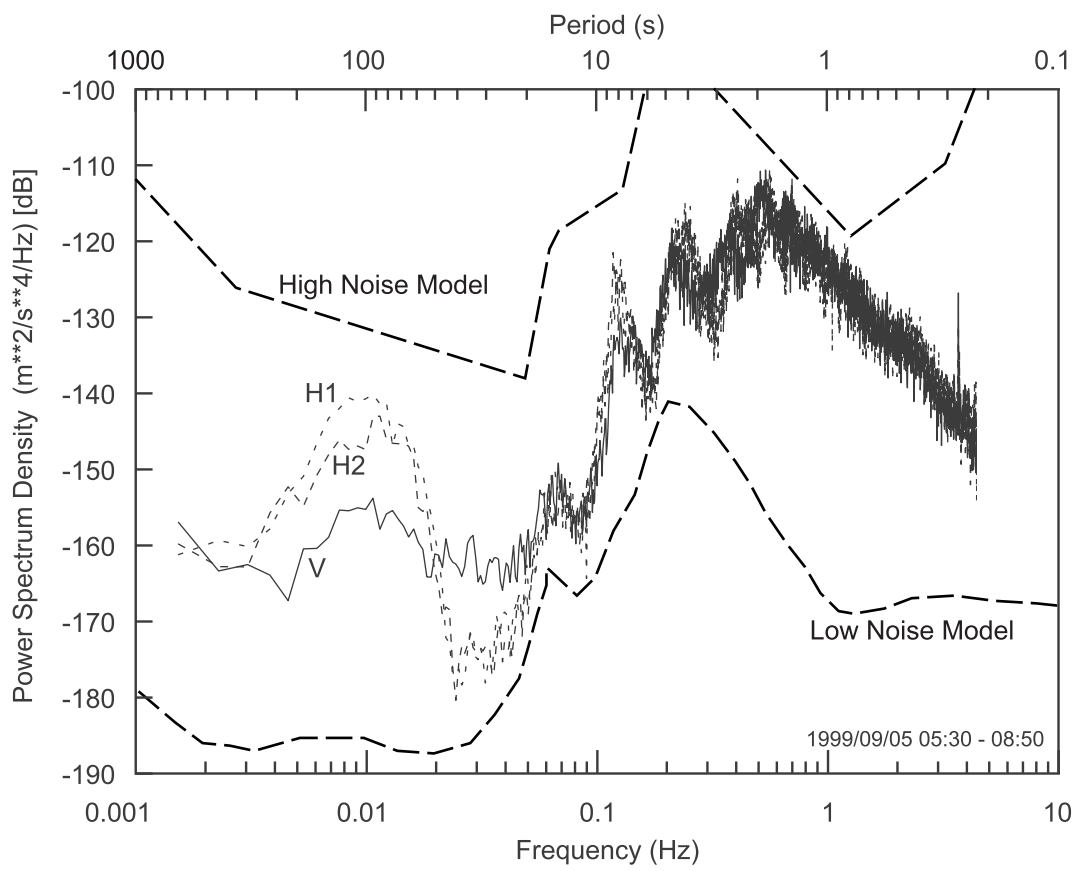


Figure 4



**Figure 5**

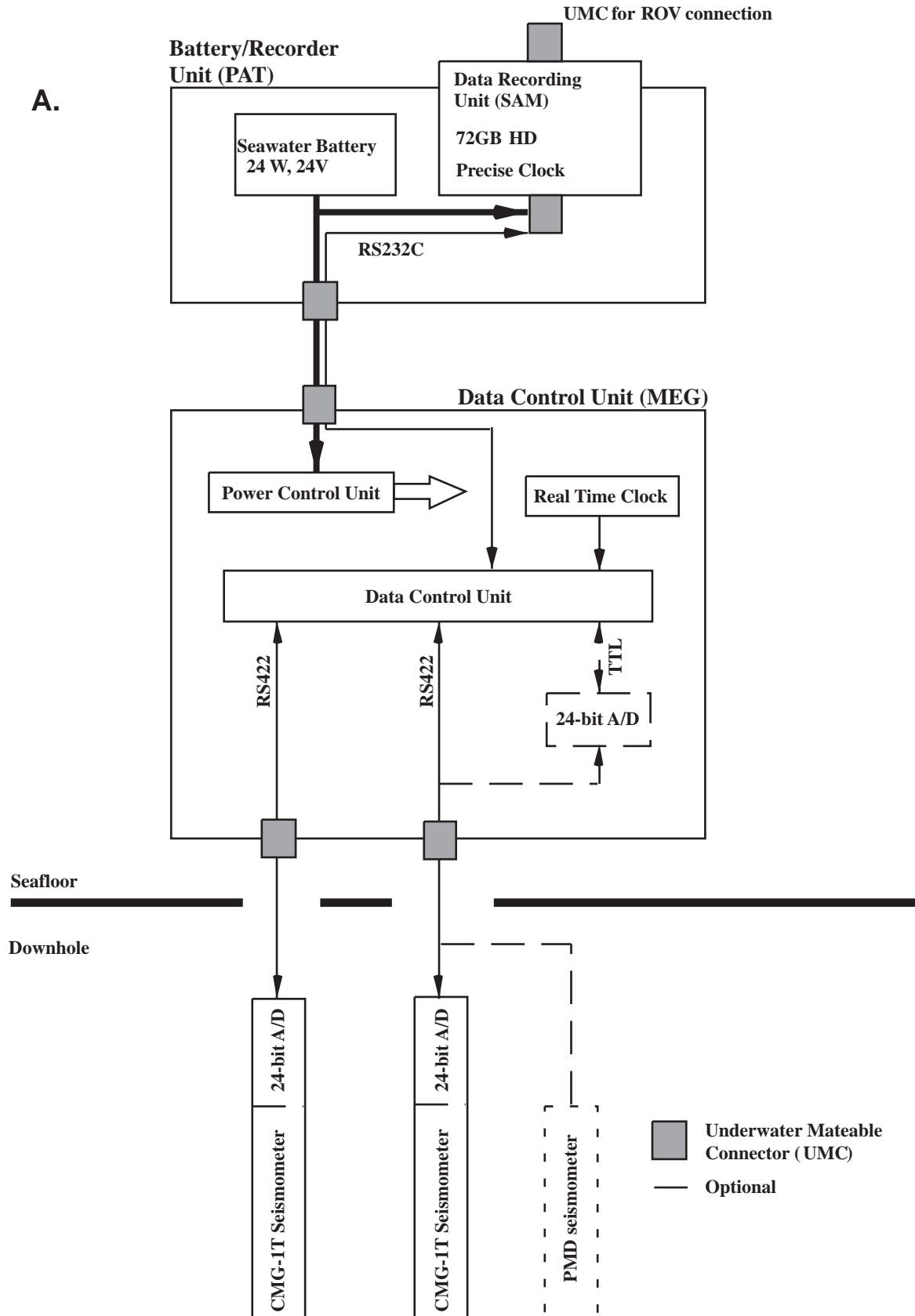
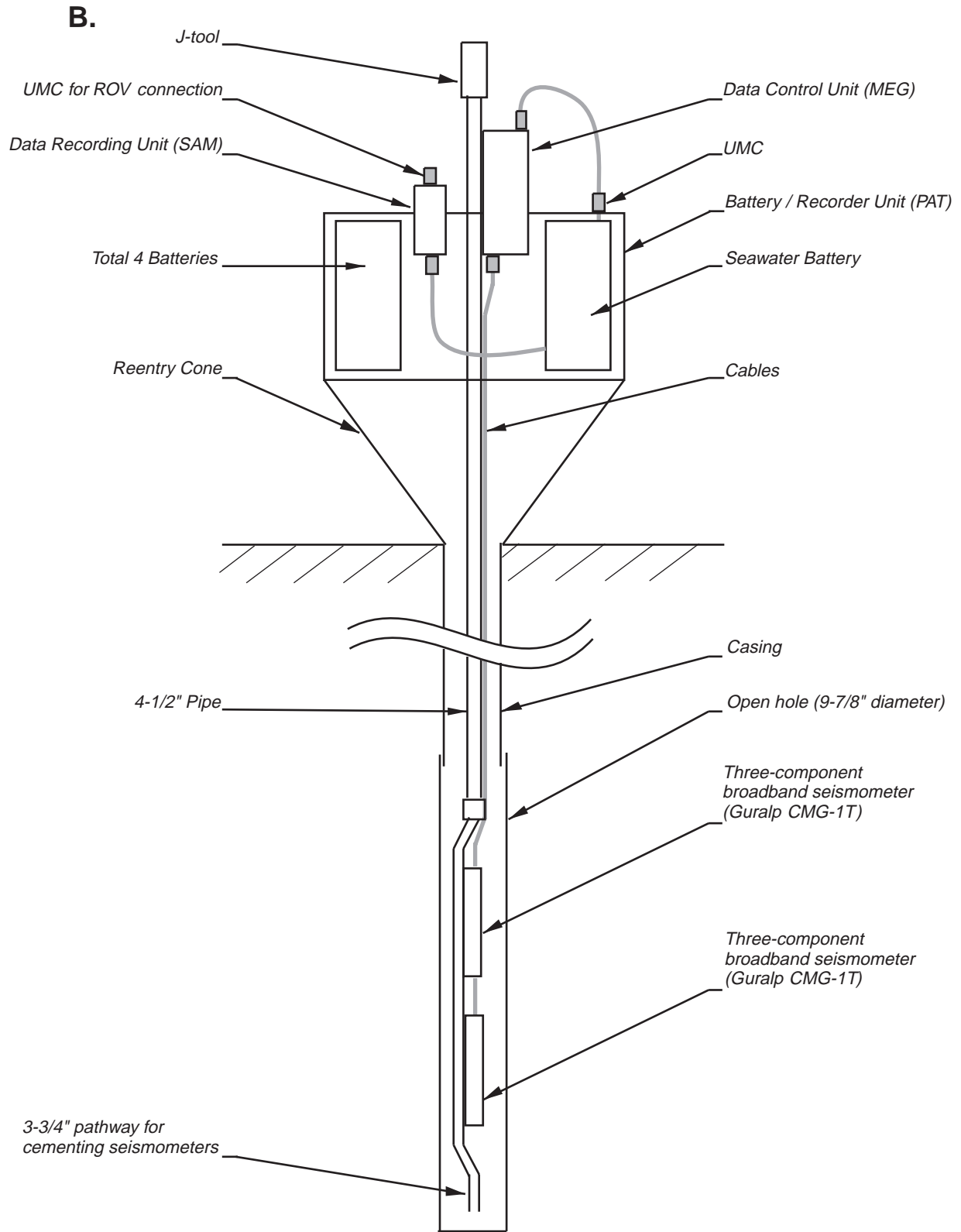
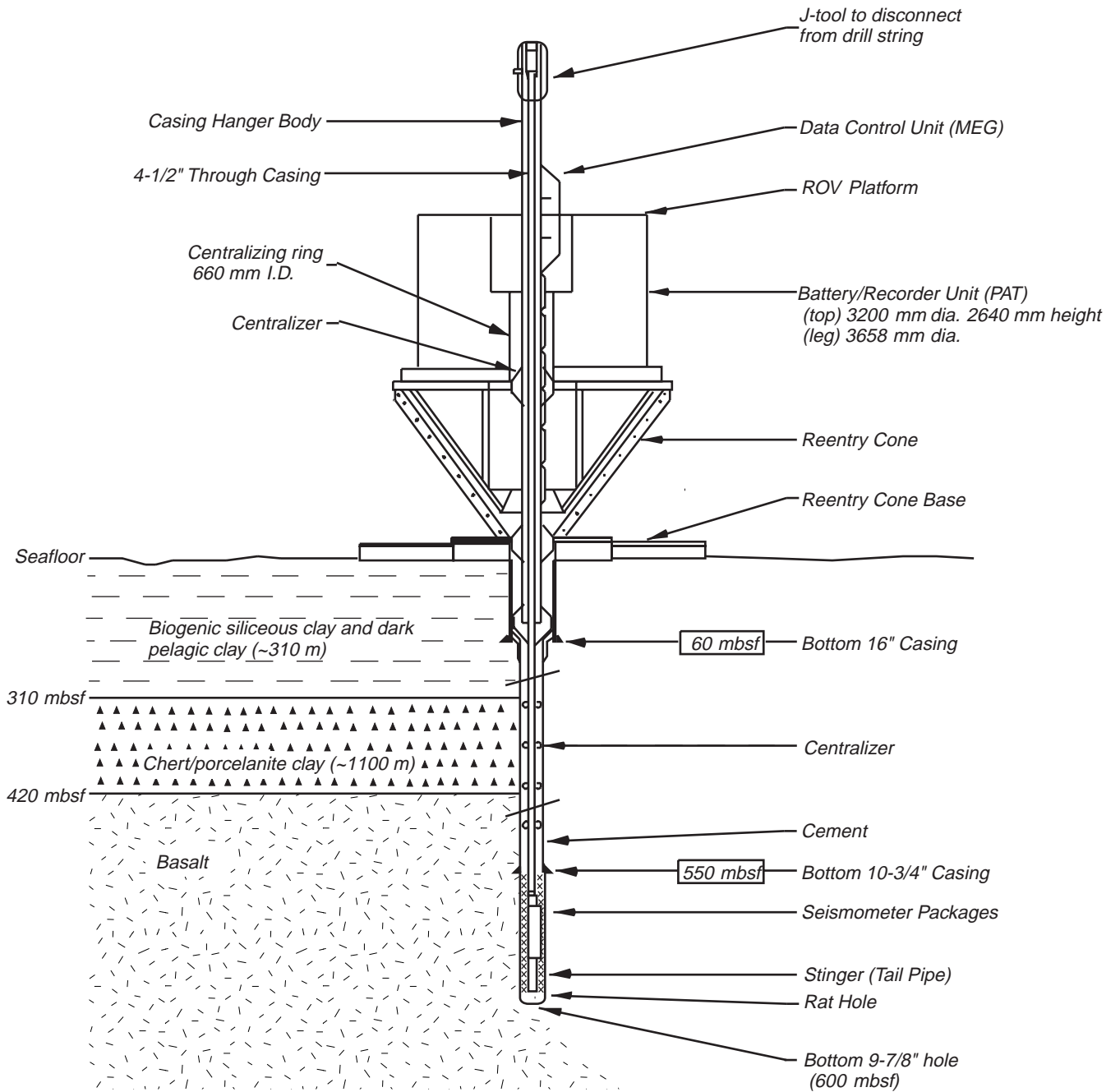


Figure 6

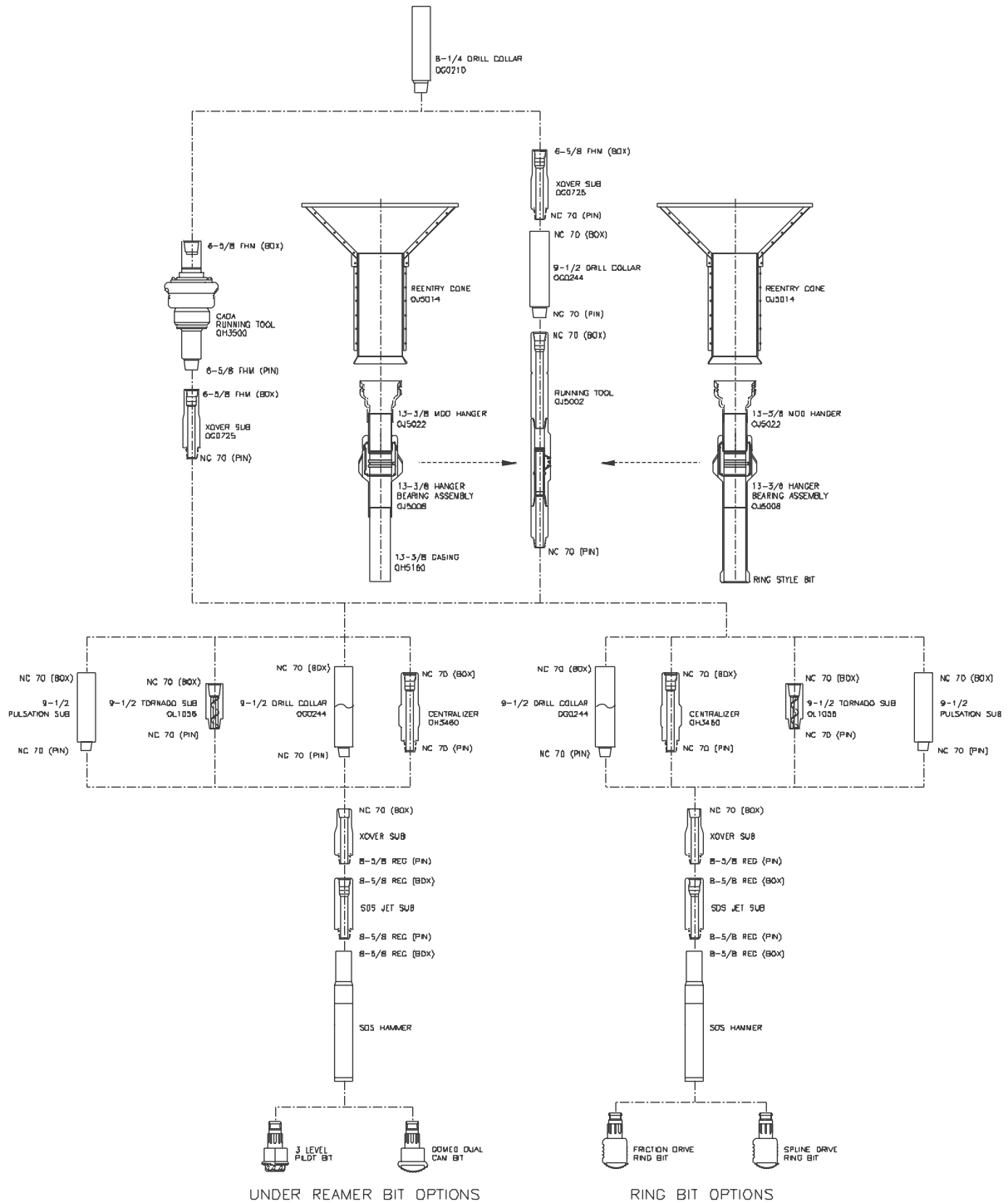


**Figure 6**



**Figure 7**

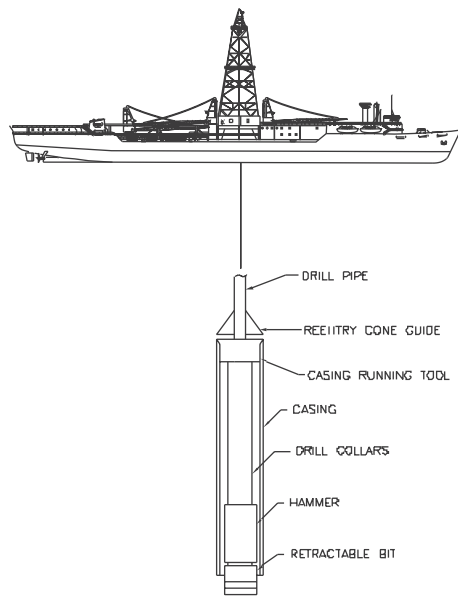




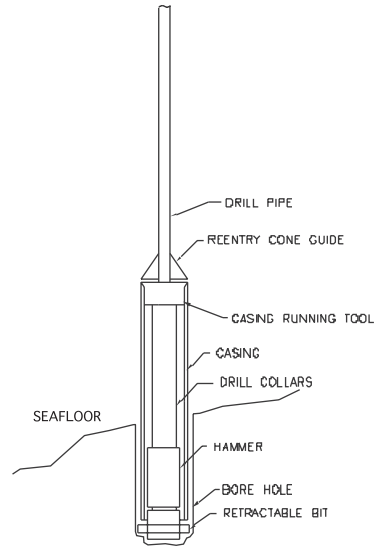
HAMMER DRILL SET-UP

NOTE: ALL NC 70 CONNECTIONS ARE CUT ON 9-1/2" OD BODIES.

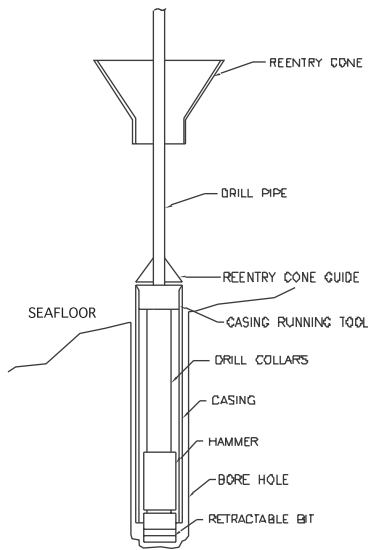
Figure 8



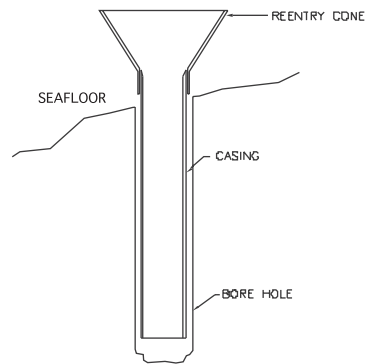
HRRS ASSEMBLY  
 TRIPPED TO THE SEA FLOOR



HRRS DRILLING IN



HRRS REENTRY CONE  
 FREE FALL DEPLOYMENT



COMPLETED HRRS INSTALLATION

**HARD-ROCK REENTRY SYSTEM (HRRS) DEPLOYMENT**

**Figure 9**